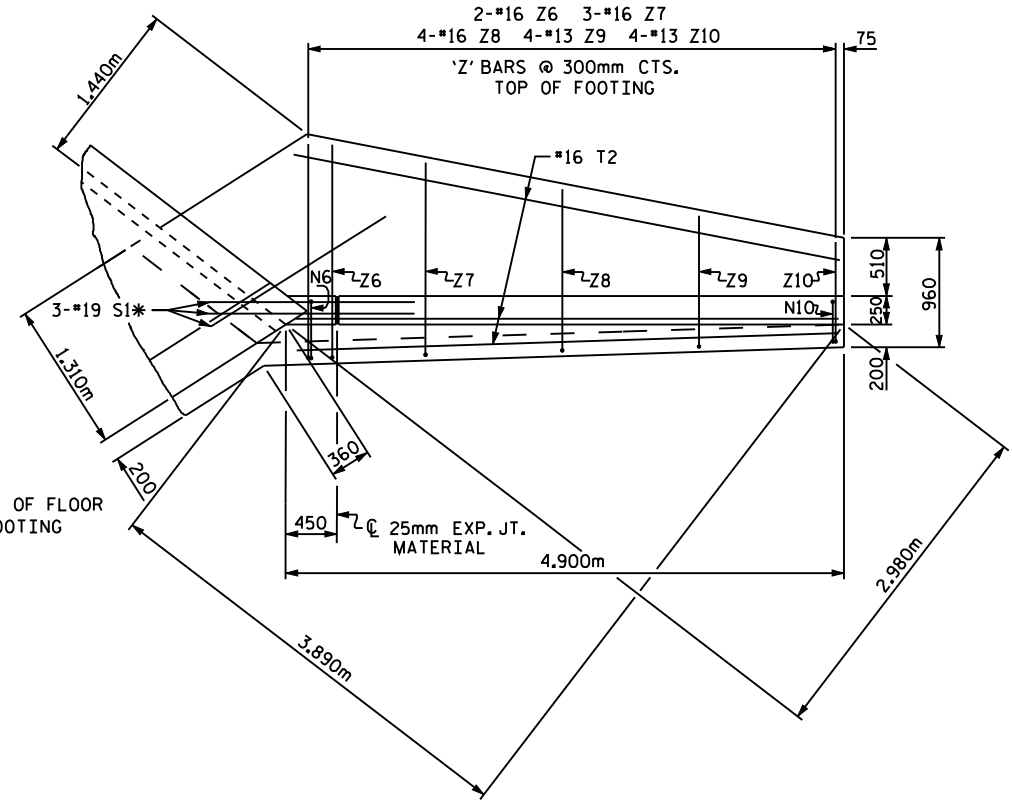
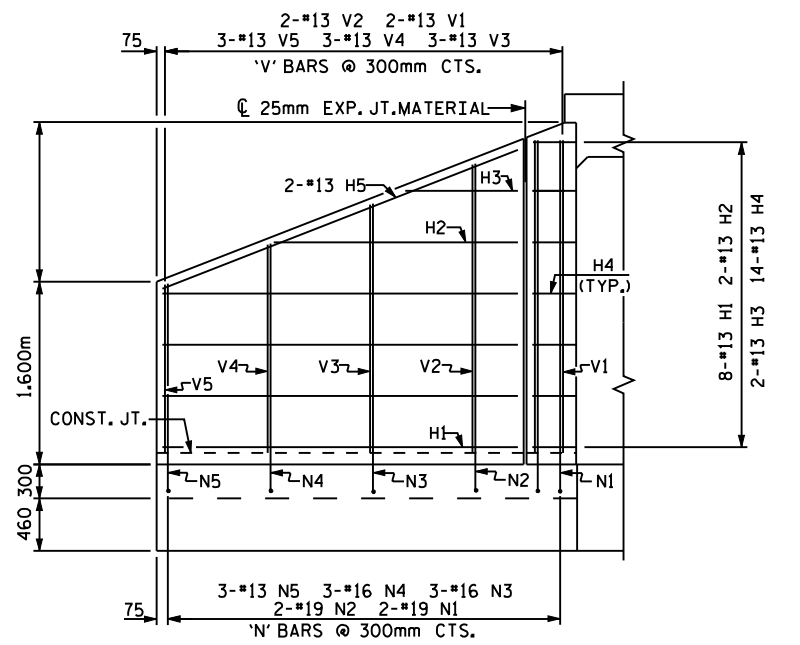
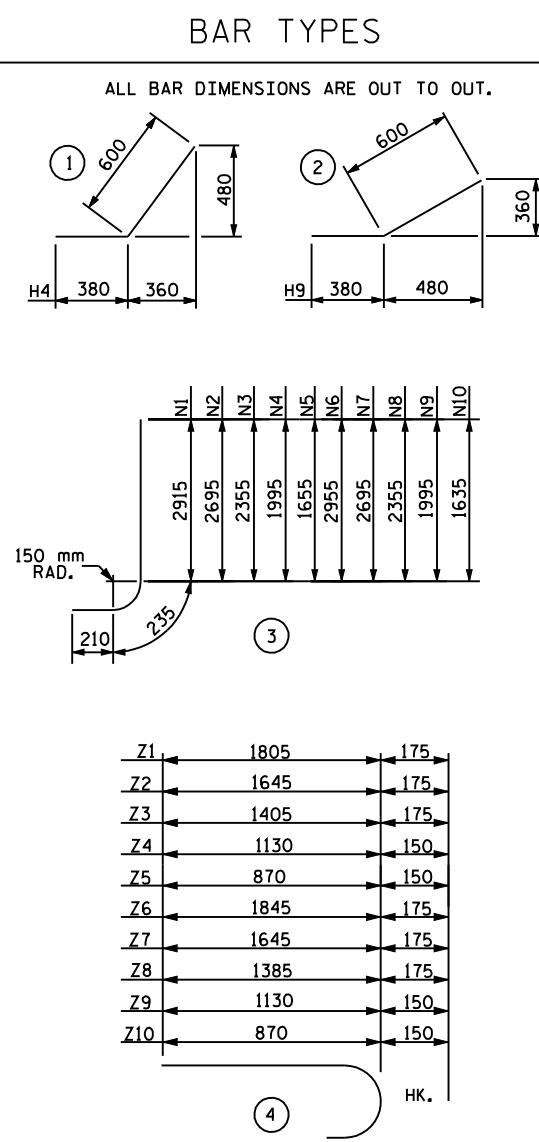


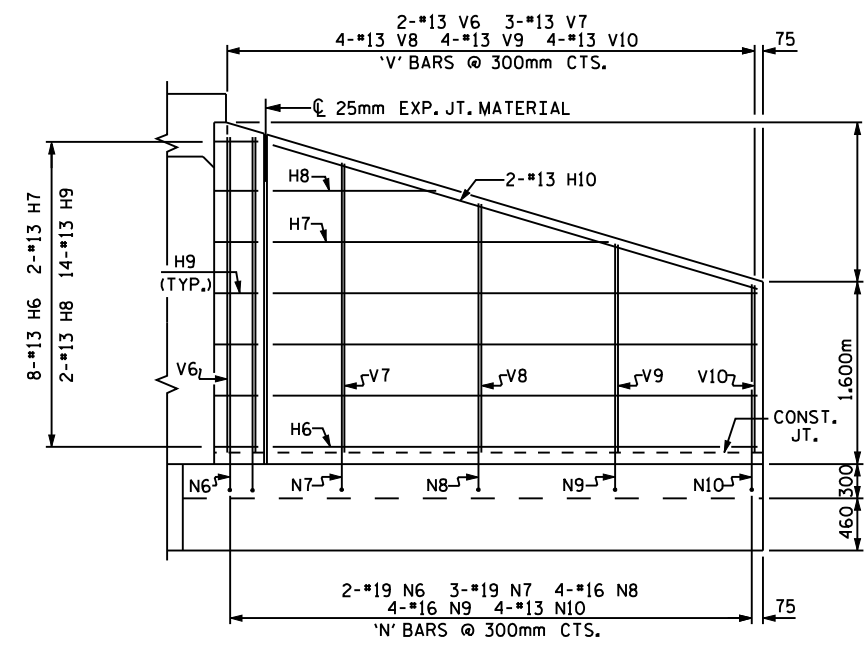
PLAN W2



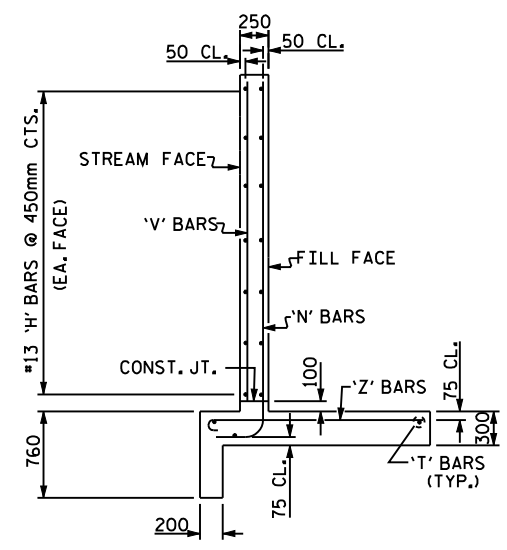
PLAN W1



ELEVATION W2



ELEVATION W1



TYPICAL WING SECTION

BILL OF MATERIAL					
BAR NO.	NO.	SIZE	TYPE	LENGTH	WEIGHT
H1	16	13	STR	3140	50
H2	4	13	STR	2160	9
H3	4	13	STR	1000	4
H4	28	13	STR	980	27
H5	4	13	STR	3360	13
H6	16	13	STR	4340	69
H7	4	13	STR	3060	12
H8	4	13	STR	1540	6
H9	28	13	STR	980	27
H10	4	13	STR	4500	18
N1	4	19	STR	3360	30
N2	4	19	STR	3140	28
N3	6	16	STR	2800	26
N4	6	16	STR	2440	23
N5	6	13	STR	2100	13
N6	4	19	STR	3400	30
N7	6	19	STR	3140	42
N8	8	16	STR	2800	35
N9	8	16	STR	2440	30
N10	8	13	STR	2080	17
S1	12	19	STR	1800	48
T1	6	16	STR	3700	34
T2	6	16	STR	4900	46
V1	4	13	STR	2740	11
V2	4	13	STR	2520	10
V3	6	13	STR	2180	13
V4	6	13	STR	1820	11
V5	6	13	STR	1480	9
V6	4	13	STR	2780	11
V7	6	13	STR	2520	15
V8	8	16	STR	2180	17
V9	8	16	STR	1820	14
V10	8	13	STR	1460	12
Z1	4	16	4	1980	12
Z2	4	16	4	1820	11
Z3	6	16	4	1580	15
Z4	6	13	4	1280	8
Z5	6	13	4	1020	6
Z6	4	16	4	2020	13
Z7	6	16	4	1820	17
Z8	8	16	4	1560	19
Z9	8	13	4	1280	10
Z10	8	13	4	1020	8
REINFORCING STEEL FOR 4 WINGS 879 kg					
CLASS A CONCRETE					
4 WINGS 19.8 m <sup>3</sup>					
2 HEADWALLS m <sup>3</sup>					
2 END CURTAIN WALLS m <sup>3</sup>					
TOTAL m <sup>3</sup>					

FOR WING ORIENTATION, SEE BARREL STANDARD SHEET.

ASSEMBLED BY :	DATE :
CHECKED BY :	DATE :
DRAWN BY : KJA 6/97	
CHECKED BY : VAP 7/97	

PROJECT NO. \_\_\_\_\_  
 \_\_\_\_\_ COUNTY  
 STATION: \_\_\_\_\_

SHEET OF \_\_\_\_\_  
 STATE OF NORTH CAROLINA  
 DEPARTMENT OF TRANSPORTATION  
 RALEIGH  
**STANDARD WINGS**  
 FOR  
**CONCRETE BOX CULVERT**  
 H = 2.700m SLOPE 2:1  
 75° OR 105° SKEW

REVISIONS					SHEET NO.
NO.	BY	DATE	NO.	BY	DATE
1			3		
2			4		